



▶ Model LP7

# StreamLine® Low Profile Combination Sounder/Strobe



LP7 sounder/strobe combines the features of a mini sounder with a fully integrated xenon strobe circuit.

Operating voltage ranges from 18-28VDC with an average of only 68 mA current consumption.

The LP7 has two switchable tone patterns: "Sweeping" and "Continuous". The LP7 has a range of 82-100 dBa @ 10 feet (92-110 dBa @ 1m), dependent upon tone selected. Volume control is set by DIP switch, which allows for 20 dBa of adjustment.

The LP7 features a bright xenon strobe that produces 0.7 joules of flash energy with a flash frequency of 60 flashes per minute. The beacon will operate jointly with any tone selected.

The Federal Signal Model LP7 sounder/strobe is PLC compatible. It is ideal for wall or panel mount applications where low voltage is required.

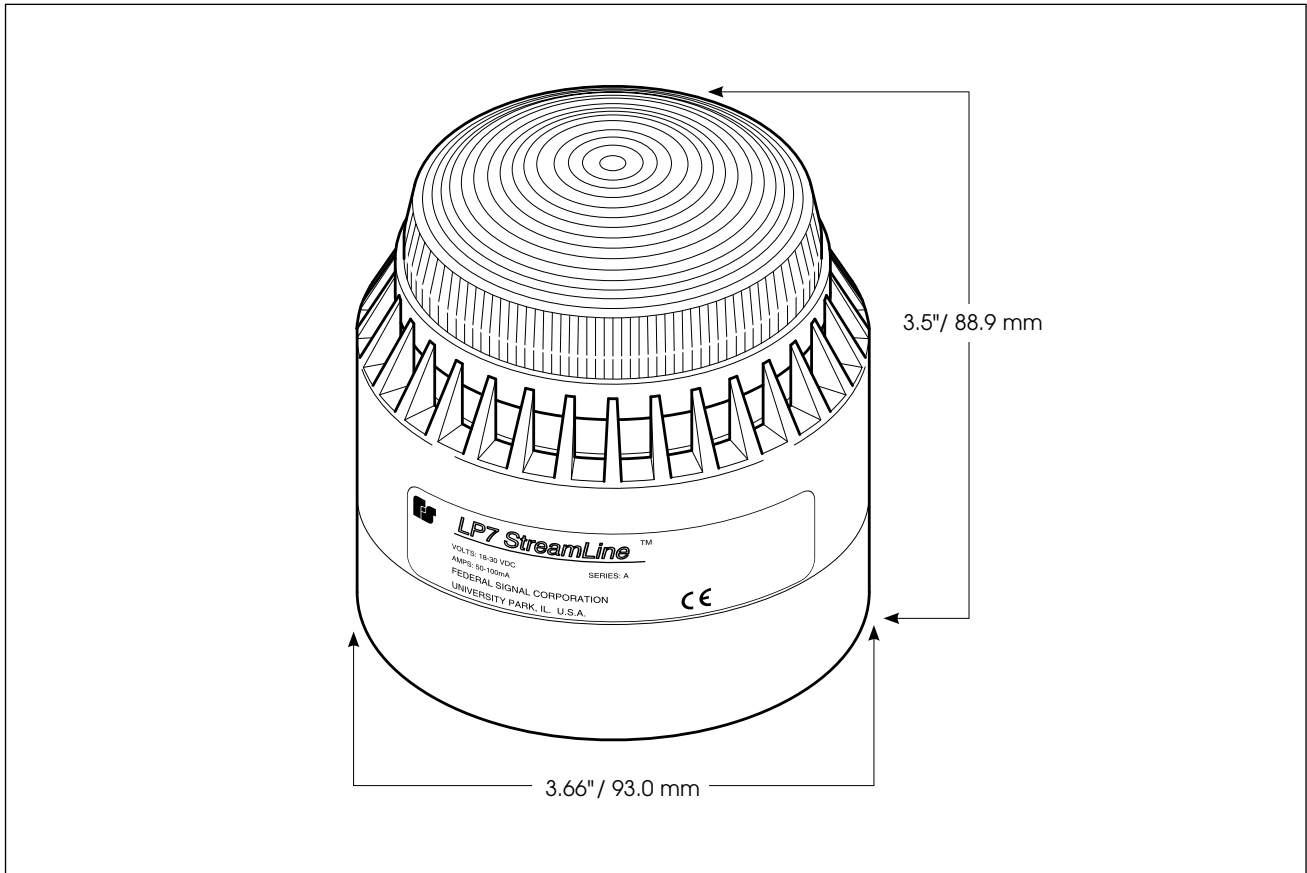
## FEATURES

- Available in 18–28VDC
- Fully integrated xenon strobe circuit
- Four lens colors: Amber, Blue, Clear and Red
- Heavy duty ABS plastic body
- 82–100 dBa @ 10' (92–110 dBa @ 1m)
- IP54 (IP65 with optional deep base)
- CE Certified

MODEL	VOLTAGE	OPERATING CURRENT	FLASH RATE/ MINUTE	JOULE OUTPUT	DECIBELS	
					10'	1M
<b>LP7-18-30*</b>	18-28VDC	0.068 amps	60	0.7	82-100	92-110

\* Indicates color: (A) Amber, (B) Blue, (C) Clear or (R) Red

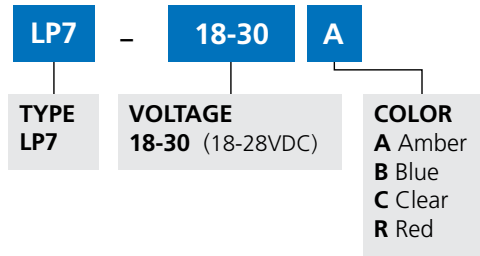
StreamLine® Low Profile Combination Sounder/Strobe (LP7)



SPECIFICATIONS

Lamp Life:		10,000 Hours
Light Source:		Strobe tube
Operating Temperature:	14°F to 131°F	-10°C to 55°C
Net Weight:	11.1 oz	0.31 kg
Shipping Weight:	13.5 oz	0.38 kg
Height:	3.5"	88.9 mm
Diameter:	3.66"	93.0 mm

HOW TO ORDER



OPTIONAL ACCESSORIES

Description	Part Number
Deep Base, White (1.88" D x 3.63" W)	DBLP